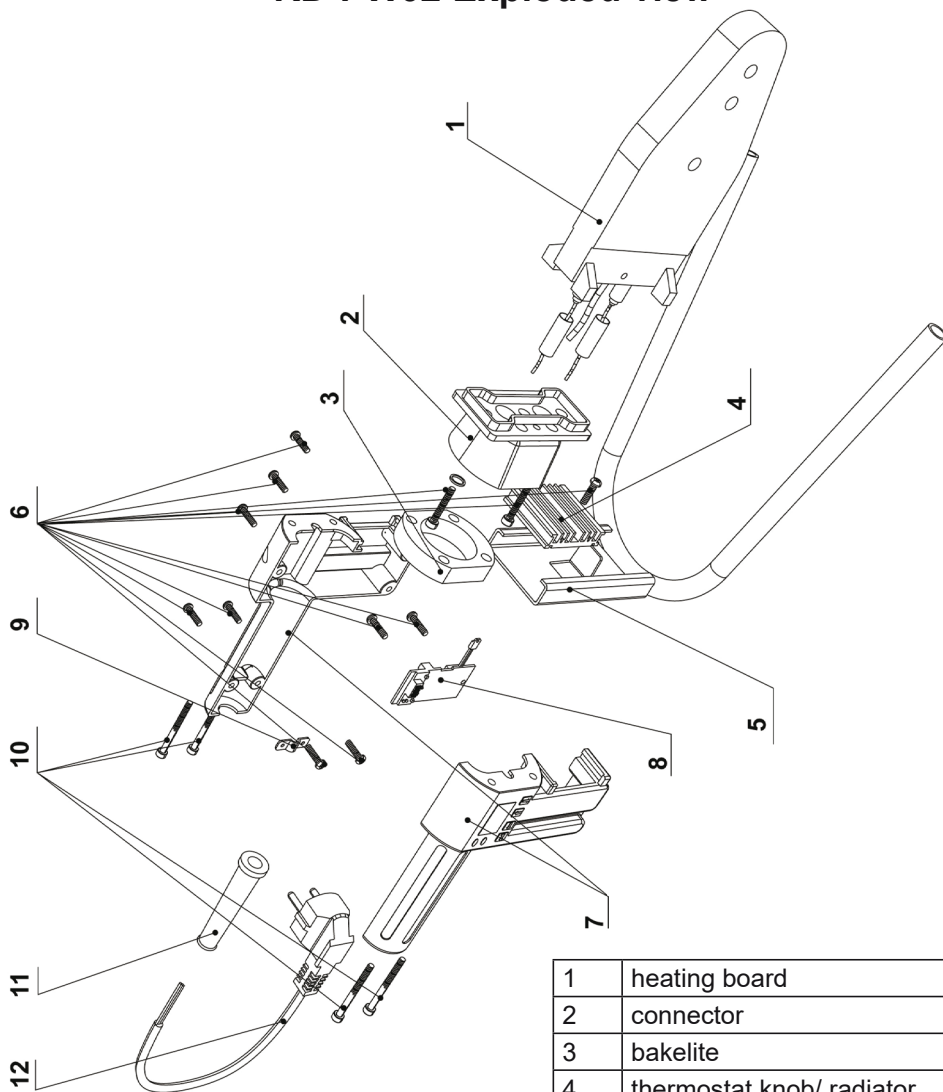


## RD-PW02 Exploded view



|    |                           |
|----|---------------------------|
| 1  | heating board             |
| 2  | connector                 |
| 3  | bakelite                  |
| 4  | thermostat knob/ radiator |
| 5  | support                   |
| 6  | screw                     |
| 7  | machine body              |
| 8  | circle board              |
| 9  | platen                    |
| 10 | connecting rod            |
| 11 | rubber wire handle        |
| 12 | cable                     |